

KATRINA FB

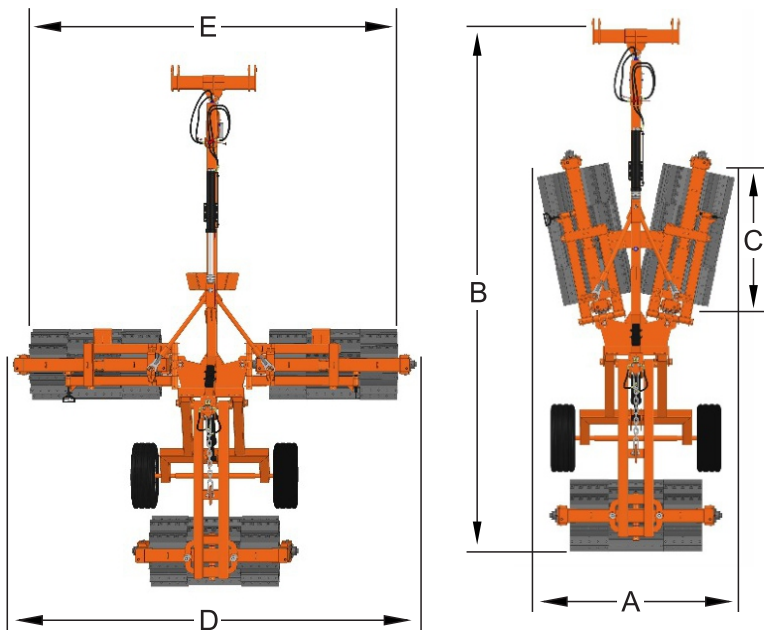


CONTRIBUTES TO AN
ECOLOGICALLY CORRECT
SOIL CONSERVATION.
SIGNIFICANTLY REDUCING THE USE
OF PESTICIDES, CONTROLLING THE
CONTAMINATION IN A SUSTENABLE WAY.



KATRINA





IMPROVING MORE AND MORE THE NO-TILL SYSTEM

KATRINA properly handles the cover crops creating a homogenous mulch, that builds and increases the durability of organic matter, protecting the soil against erosion, retaining moisture, controlling weeds, and preserving the nutrients, establishing an ideal environment for planting.

An unique roller-crimper with a hydraulic drive system, leveling and double articulation in each section.

TAX CLASSIFICATION CODE : 8436.8000

DIMENSIONS	KATRINA F3
(A) MAXIMUM WIDTH - TRANSPORT	2200 mm
(B) LENGTH	6000 mm
(C) WIDTH OF EACH ROLL	1500 mm
(D) OVERALL WIDTH	4740 mm
(E) ROLLING WIDTH	4300 mm
ROLL DIAMETER	600 mm
ROLL WITH BLADES DIAMETER	830 mm
BLADES PER ROLL	36 mm
BALLASTING OF EACH ROLL	450 L
APPROXIMATE WEIGHT	2700 kg
REQUESTED POWER	75 a 100 HP

KATRINA



THE BEST-SELLING
ROLLER-CRIMPER
IN THE WORLD

AUTHORIZED RESELLER

VISIT OUR WEBSITE AND DISCOVER INDUTAR PRODUCTS

www.indutar.com.br

RS 223 - Km 51,3 | Ibirubá - RS - Brasil | zipcode: 98200-000 | Phone: +55 54 3324 9100

